

Service Parts List for Models FS2330, NS2030, and NH2030 Remote or Water Cooled

This is the service parts lists for the above Scotsman ice machines.

There are two voltages, two condenser types and three ice forms.

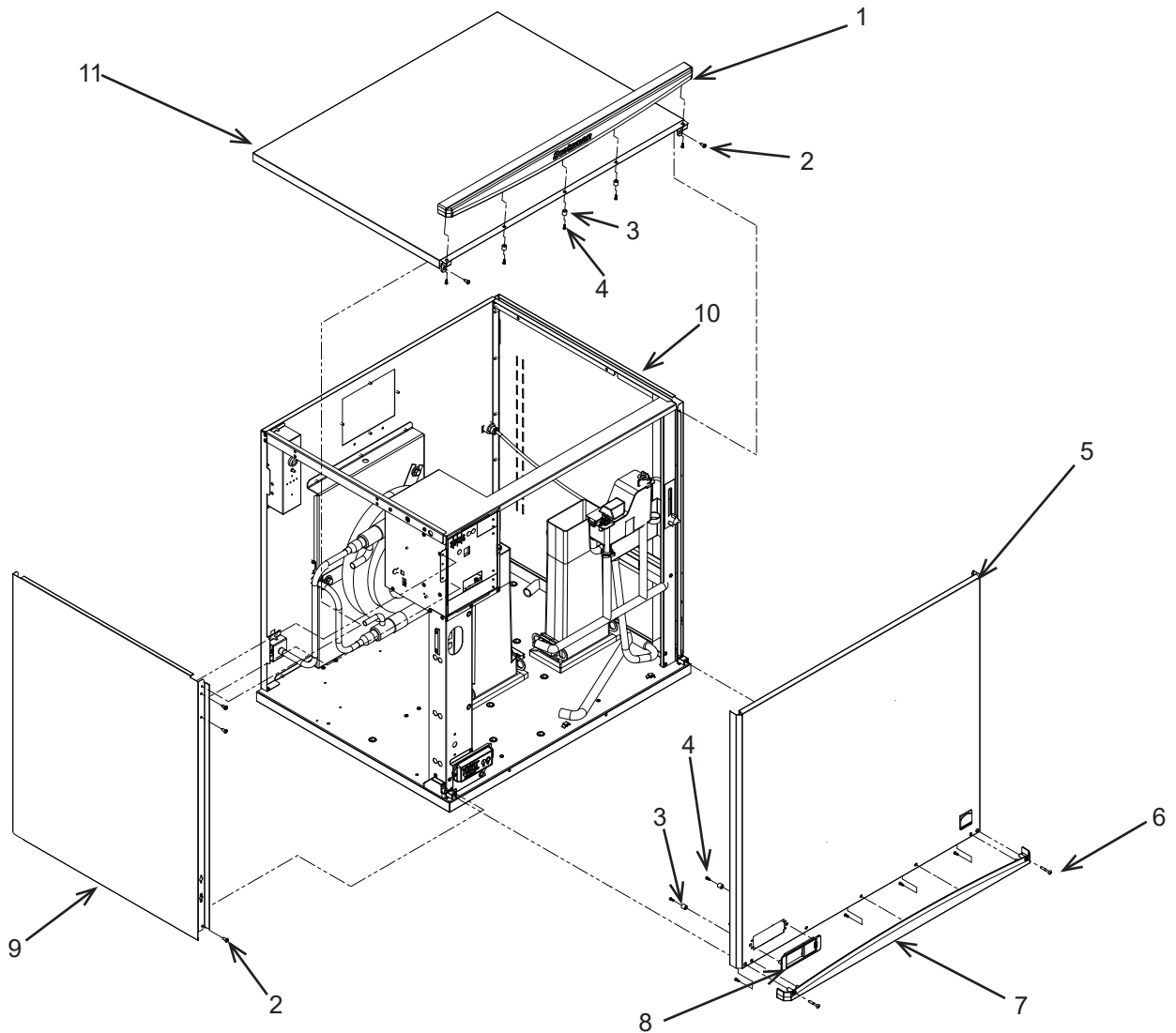
Be CERTAIN to order the correct part for the model being worked on.

Contents

Cabinet	Page 2
Base and Back	Page 3
Remote Refrigeration Components	Page 4
Water Cooled Refrigeration Components	Page 5
Reservoir Parts	Page 6
Water Inlet and Drain Tubing	Page 7
Evaporator System	Page 8
Gear Reducer and Motor	Page 9
Chutes and Ice Sensors	Page 10
Control Box	Page 11
Controller and Harnesses	Page 12
ERC611Condenser	Page 13
-32 Water Cooled Wiring Diagram	Page 14
-3 Water Cooled Wiring Diagram	Page 15
-32 Remote Cooled Wiring Diagram	Page 16
-3 Water Cooled Wiring Diagram	Page 17

Service Parts List for Models FS2330, NS2030, and NH2030 Remote or Water Cooled

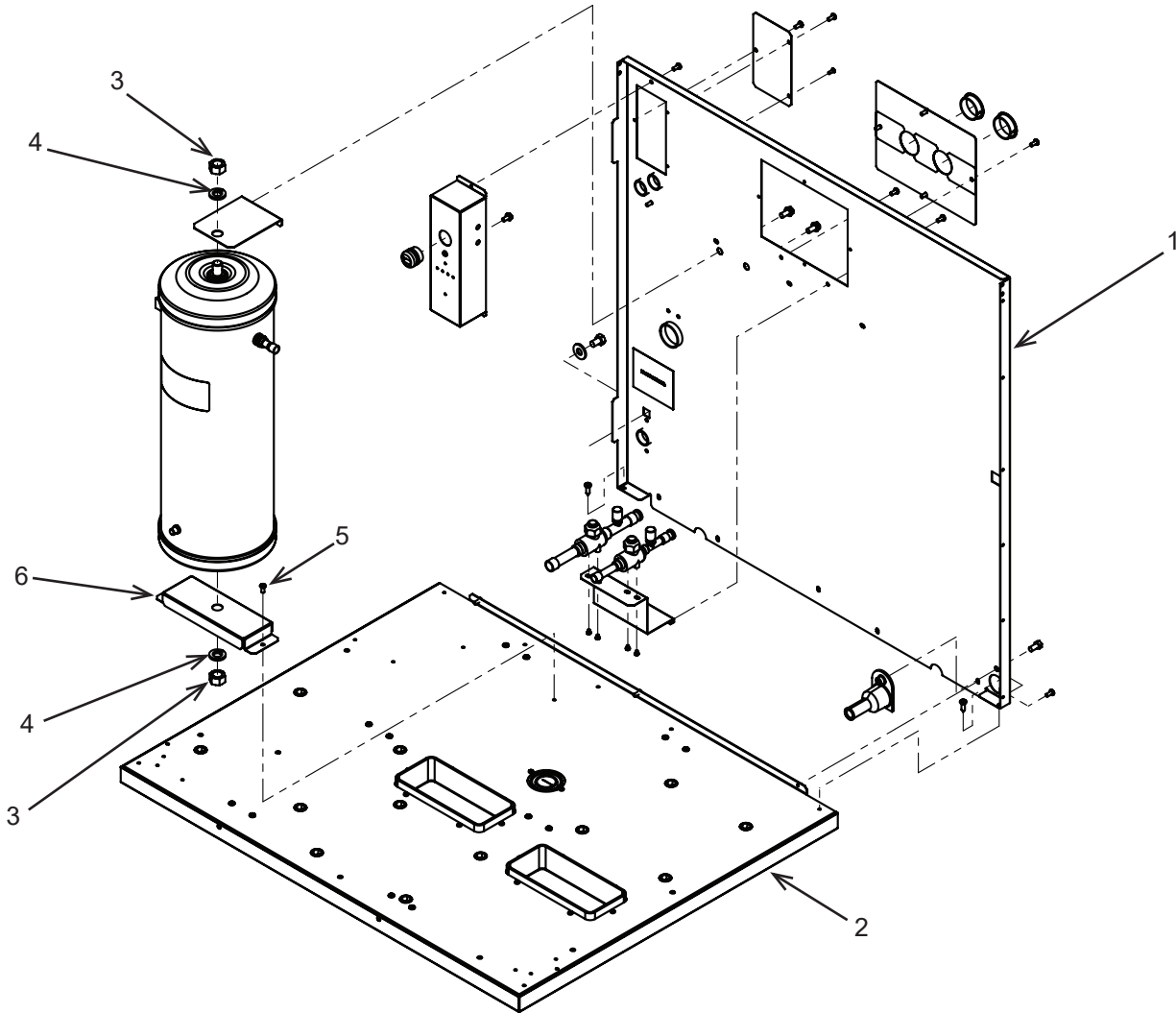
Cabinet



Item	Part Number	Description
1	02-4819-01	Trim strip, top
2	03-1404-10	Screw #8
3	02-4824-01	Spacer
4	03-3836-02	Screw, high low
5	A40308-024	Front panel
6	03-1735-03	Screw
7	02-4820-01	Trim strip, bottom
8	02-4821-02	Bezel
9	A40310-022	Left side panel
10	A40311-022	Right side panel
11	A40309-021	Top panel

Service Parts List for Models FS2330, NS2030, and NH2030 Remote or Water Cooled

Base and Back

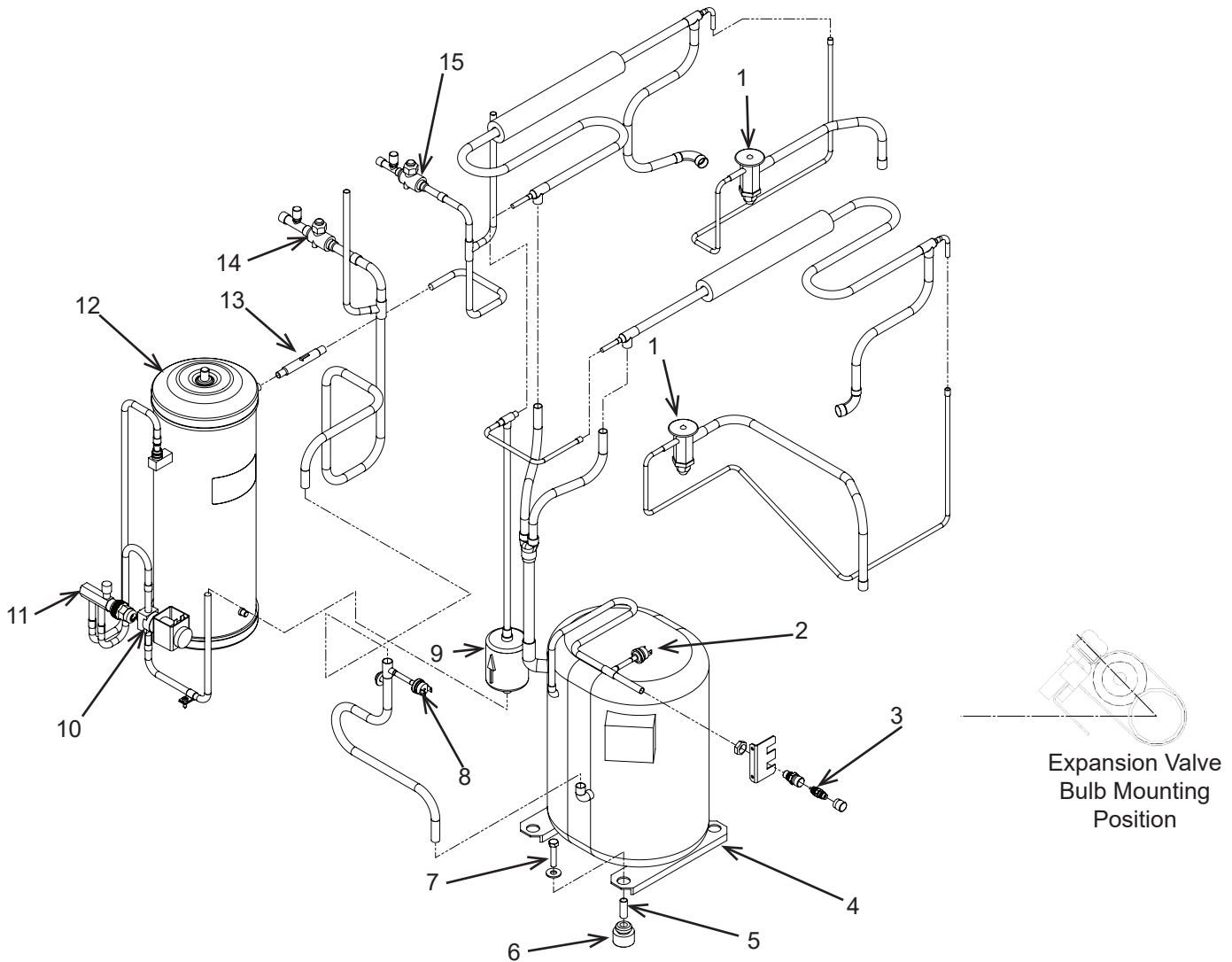


Item	Part Number	Description
1	A41105-001	Back panel
2	A41103-001	Base assembly
3	03-1406-13	Hex nut
4	03-1410-06	Washer
5	03-1531-01	Screw
6	A40772-001	Receiver mount for remote

Service Parts List for Models FS2330, NS2030, and NH2030

Remote or Water Cooled

Remote Refrigeration Components

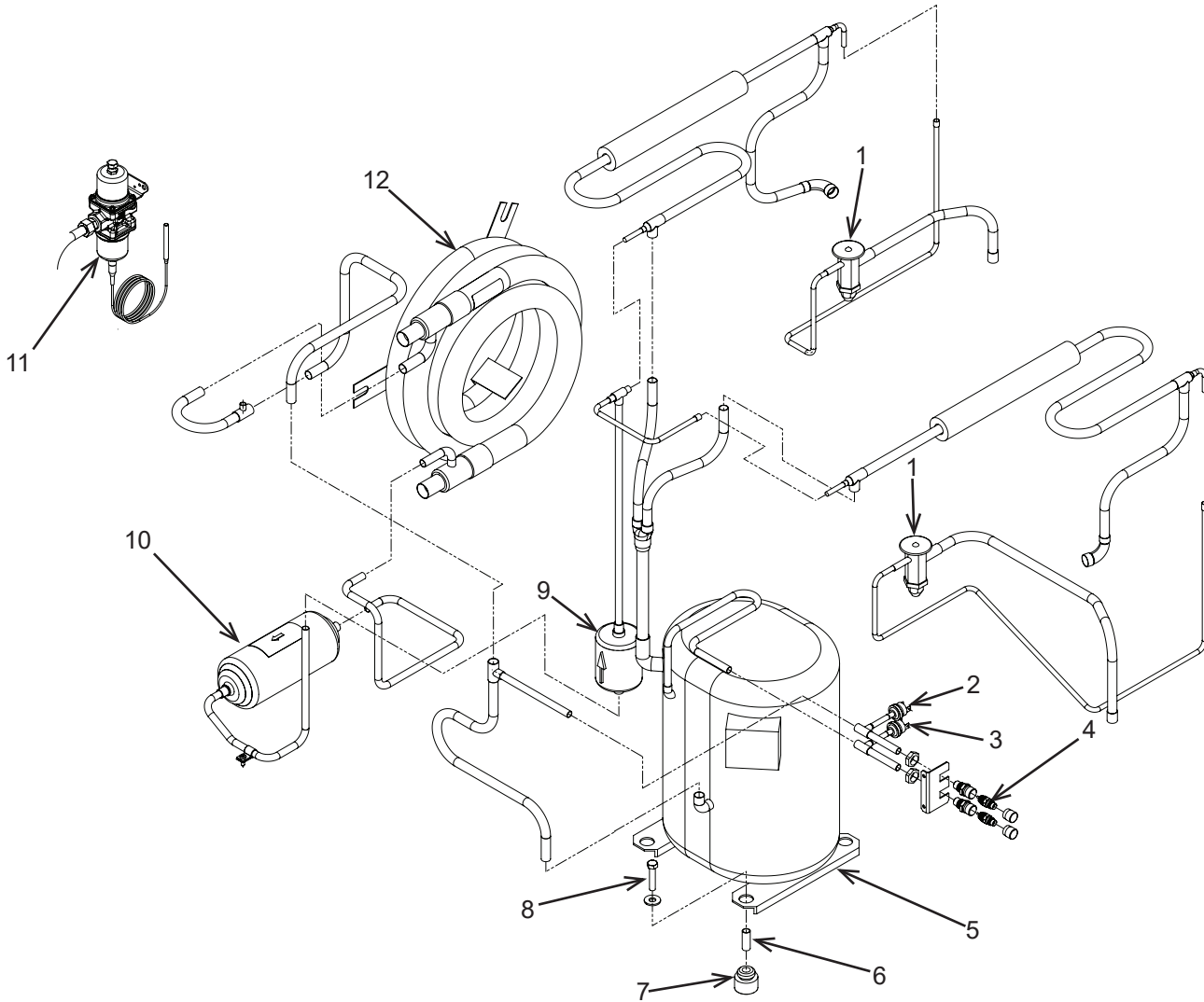


Item	Part Number	Description
1	16-1144-24	TXV
	19-0599-01	Insulation, TXV
2	11-0502-01	Low pressure control switch
3	16-1137-01	Access valve seat
3a	16-1139-01	Access valve core
3b	16-1140-01	Access valve cap
4	18-8750-22	Compressor, 208-230/1*
	18-8750-24	Compressor, 208-230/3
	12-3043-03	Crankcase heater
5	18-2300-26	Sleeve
6	18-2300-27	Grommet
7	03-1405-20	Hex cap screw
7a	03-1407-07	Washer, flat
8	11-0501-02	Hi pressure cut out switch
9	02-3319-02	Filter dryer
10	11-0493-01	Liquid line solenoid valve
11	16-1030-01	In line access valve
12	16-1175-01	Receiver
13	16-1071-01	Check valve
14	16-1208-02	Isolation valve, liquid
15	16-1208-01	Isolation valve, discharge

*Compressor kit includes starting components and dryer.

Service Parts List for Models FS2330, NS2030, and NH2030 Remote or Water Cooled

Water Cooled Refrigeration Components

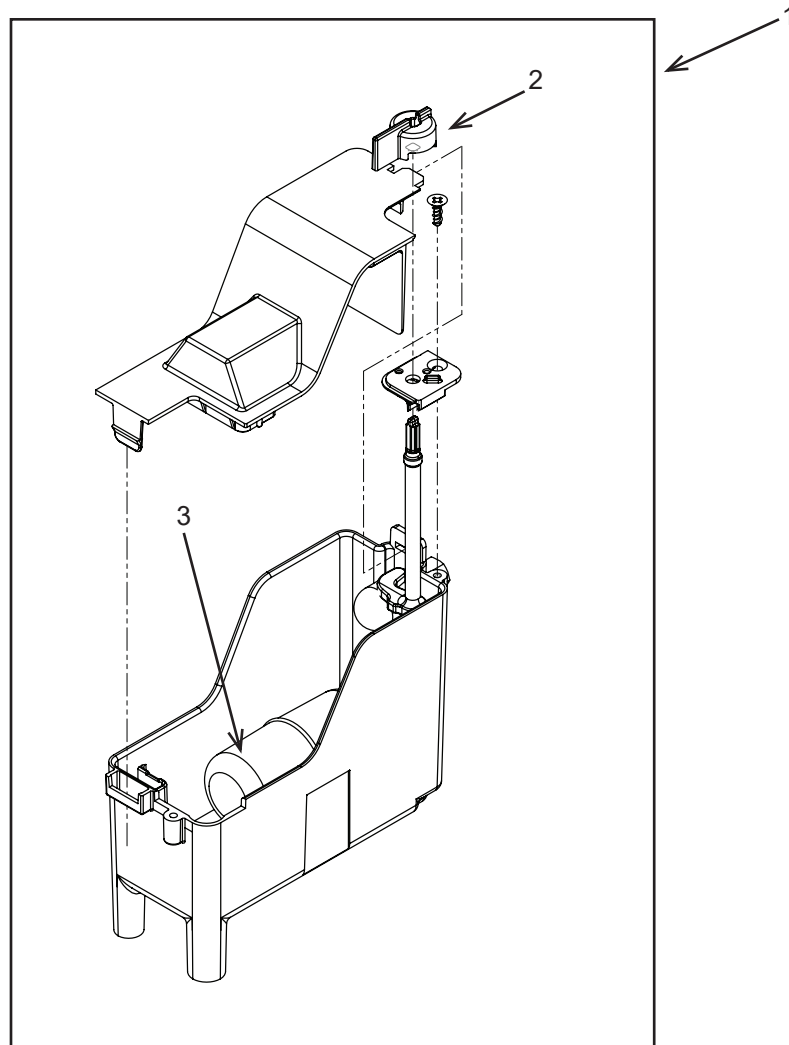


Item	Part Number	Description
1	16-1144-04	TXV
	19-0599-01	Insulation, TXV
2	11-0501-02	Hi pressure cut out switch
3	11-0502-01	Low pressure control switch
4	16-1137-01	Access valve seat
4a	16-1139-01	Access valve core
4b	16-1140-01	Access valve cap
5	18-8750-22	Compressor, 208-230/1*
	18-8750-24	Compressor, 208-230/3
6	18-2300-26	Sleeve
7	18-2300-27	Grommet
8	03-1405-20	Hex cap screw
8a	03-1407-07	Washer, flat
9	02-3319-02	Filter dryer
10	02-2628-02	Receiver
11	11-0608-01	Water regulating valve
12	18-8865-01	Water cooled condenser

* Compressor kit includes starting components and dryer.

Service Parts List for Models FS2330, NS2030, and NH2030 Remote or Water Cooled

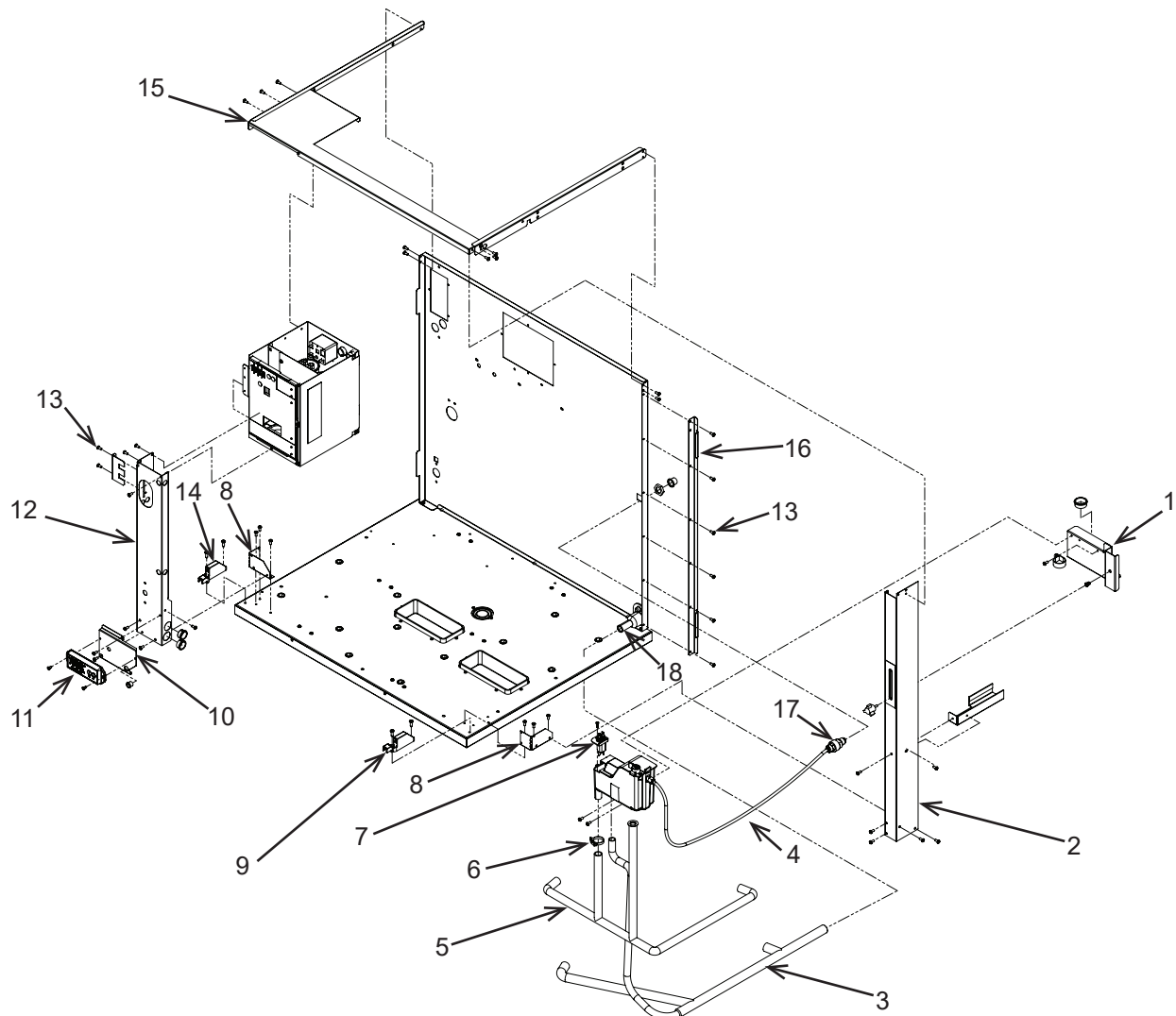
Reservoir Parts



Item	Part Number	Description
1	A40664-001	Reservoir
2	02-4955-01	Knob
3	02-2217-02	Float valve only, part of item 1

Service Parts List for Models FS2330, NS2030, and NH2030 Remote or Water Cooled

Water Inlet and Drain Tubing

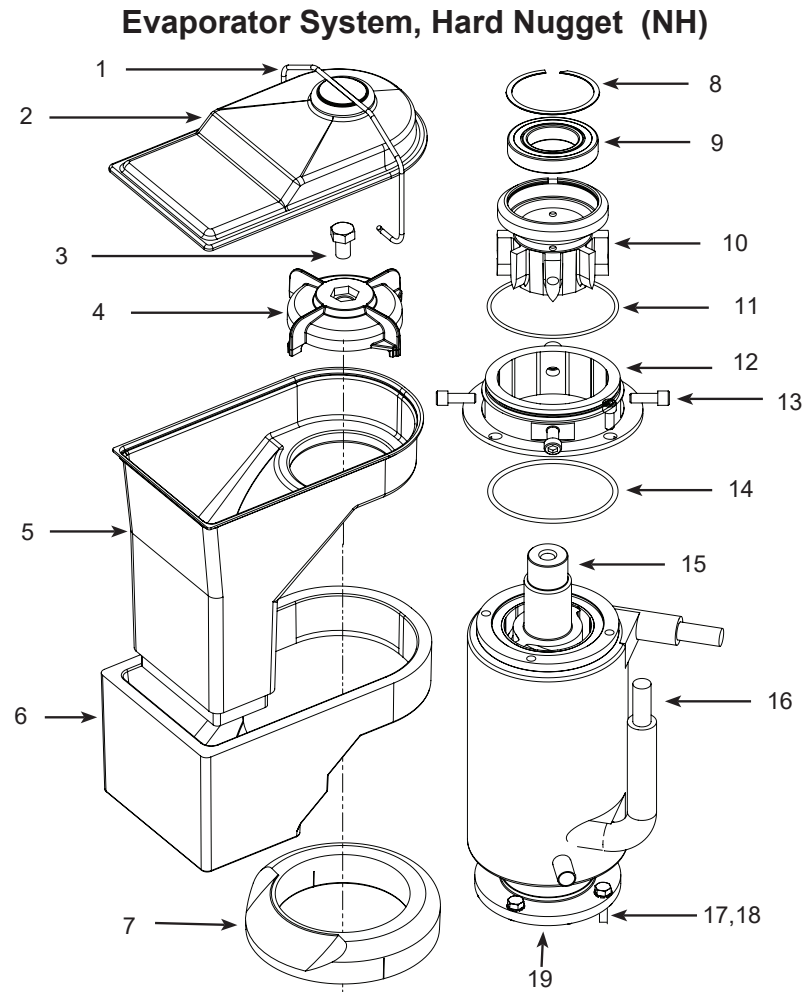


Item	Part Number	Description	Item	Part Number	Description
			15	A41108-001	Control box top
1	A41109-001	Reservoir bracket	16	A41112-001	Right side back panel bracket
2	A41107-001	Front right post	17	16-0835-01	Water inlet fitting
3	02-5134-01	Drain tube	18	02-3692-04	Drain fitting
4	13-0895-01	Tubing, use 30 inches			
5	02-5133-01	Evaporator water supply tube			
6	02-2814-08	Hose clamp			
7	A40666-001	Water sensor			
8	A40367-001	Support bracket			
9	02-4823-22	Right panel mount			
10	A40363-001	Bracket, membrane			
11	02-4836-01	Membrane			
12	A41106-001	Left front post			
13	03-1521-01	Screw			
14	02-4823-21	Left panel mount			

Service Parts List for Models FS2330, NS2030, and NH2030

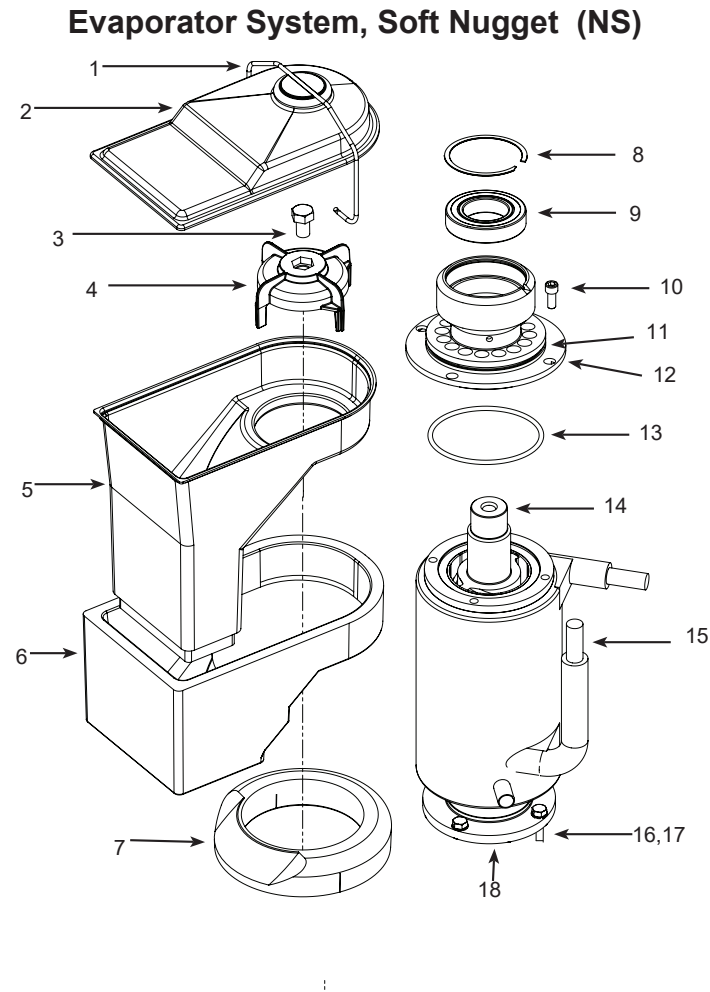
Remote or Water Cooled

Evaporator System



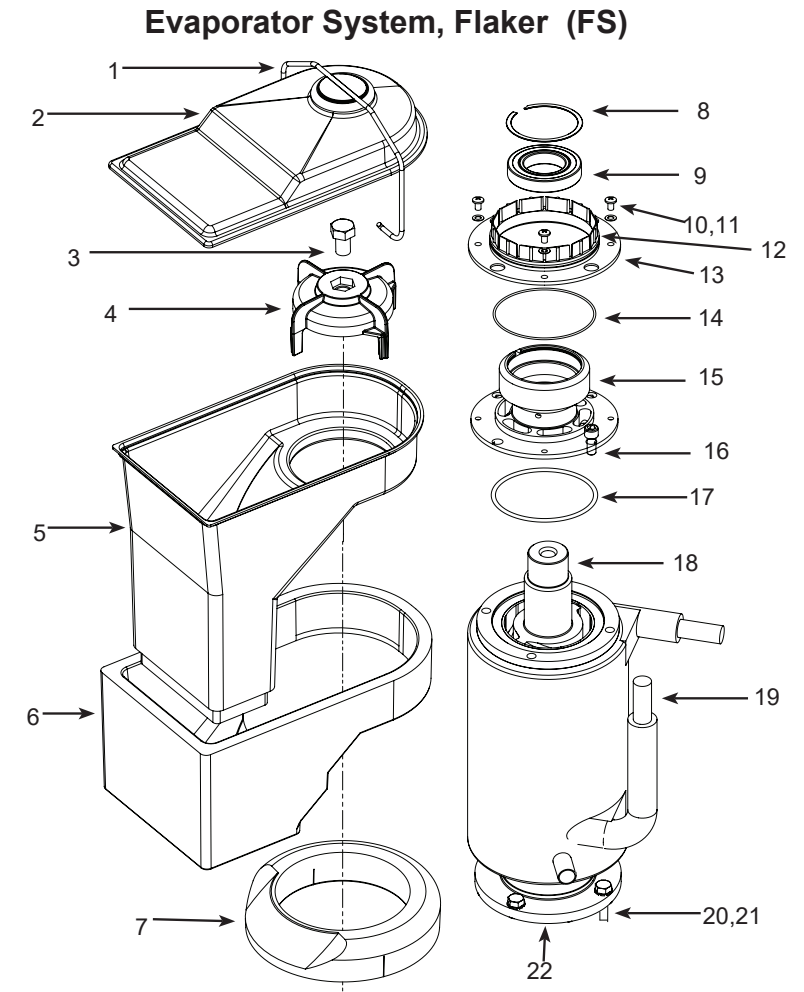
Hard Nugget:

Item	Part Number	Description
1	02-5074-01	Bail clamp
2	02-5073-01	Ice chute cover
3	03-1405-52	Hex head cap screw, 1/2"-13
4	02-5071-02	Ice sweep
5	02-5072-02	Ice chute
6	02-5086-02	Ice chute insulation
7	13-0929-03	Insulation collar - (Grey color)
8	02-5070-01	Retaining ring
9	02-5069-01	Top bearing
10	02-5050-01	Extruder
10a	A40991-023	Extruder/Bearing assembly kit (includes 8,9,10)
11	13-0617-52	O-ring
12	02-5049-01	Extruder adapter
13	03-1544-08	Allen head screw, 5/16-18x3/4"
14	13-0617-45	O-ring
15	02-5060-02	Auger, tall
16	02-5061-22	Evaporator, tall
17	03-1417-13	Lock washer 5/16"
18	03-1405-38	Hex head cap screw, 5/16-18x3/4"
19	A40174-001	Evaporator/Gearbox adapter assembly
19a	02-4843-23	Bottom Bearing
NS1	02-0929-23	Water Seal
NS2	A40991-033	Conversion to hard nugget (includes 4,5,6,7,8,9,10,11,12,13,14)



Soft Nugget:

Item	Part Number	Description
1	02-5074-01	Bail clamp
2	02-5073-01	Ice chute cover
3	03-1405-52	Hex head cap screw, 1/2"-13
4	02-5071-01	Ice sweep
5	02-5072-01	Ice chute
6	02-5086-01	Ice chute insulation
7	13-0929-02	Insulation collar - (Black color)
8	02-5070-01	Retaining ring
9	02-5069-01	Top bearing
10	03-1544-08	Allen head screw, 5/16-18x3/4"
11	13-0617-52	O-ring
12	02-5067-01	Extruder
12a	A40991-021	Extruder/Bearing assembly kit (includes 8,9,11,12,13)
13	13-0617-45	O-ring
14	02-5060-02	Auger, tall
15	02-5061-22	Evaporator, tall
16	03-1417-13	Lock washer 5/16"
17	03-1405-38	Hex head cap screw, 5/16-18x3/4"
18	A40174-001	Evaporator/Gearbox adapter assembly
18a	02-4843-23	Bottom Bearing
NS1	02-0929-23	Water Seal
NS2	A40991-031	Conversion to soft nugget kit (includes 4,5,6,7,8,9,11,12,13)

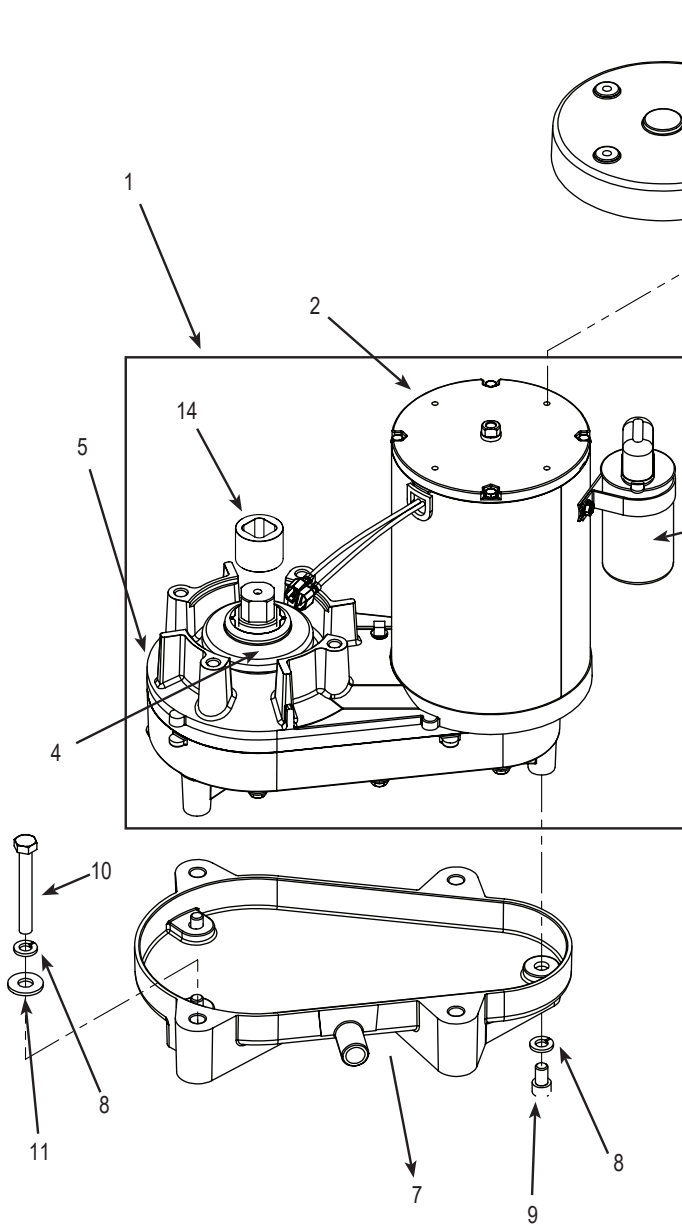


Flaker:

Item	Part Number	Description
1	02-5074-01	Bail clamp
2	02-5073-01	Ice chute cover
3	03-1405-52	Hex head cap screw, 1/2"-13
4	02-5071-01	Ice sweep
5	02-5072-01	Ice chute
6	02-5086-01	Ice chute insulation
7	13-0929-01	Insulation collar - (White color)
8	02-5070-01	Retaining ring
9	02-5069-01	Top bearing
10	03-1408-36	Washer
11	03-1403-27	Screw #10-24
12	13-0617-52	O-ring
13	02-2916-01	Slotted collar
14	13-0617-49	O-ring
15	02-5068-01	Extruder
15a	A40991-022	Extruder/Bearing Assembly Kit (includes 8,9,15,17)
16	03-1544-08	Allen head screw, 5/16-18x3/4"
17	13-0617-45	O-ring
18	02-5060-02	Auger, tall
19	02-5061-22	Evaporator, tall
20	03-1417-13	Lock washer 5/16"
21	03-1405-38	Hex head cap screw, 5/16-18x3/4"
22	A40174-001	Evaporator/Gearbox adapter assembly
22a	02-4843-23	Bottom Bearing
NS1	02-0929-23	Water Seal
NS2	A40991-032	Conversion to flaker kit (includes 4,5,6,7,8,9,10,11,12,13,14,15,17)

Service Parts List for Models FS2330, NS2030, and NH2030 Remote or Water Cooled

Gear Reducer and Motor

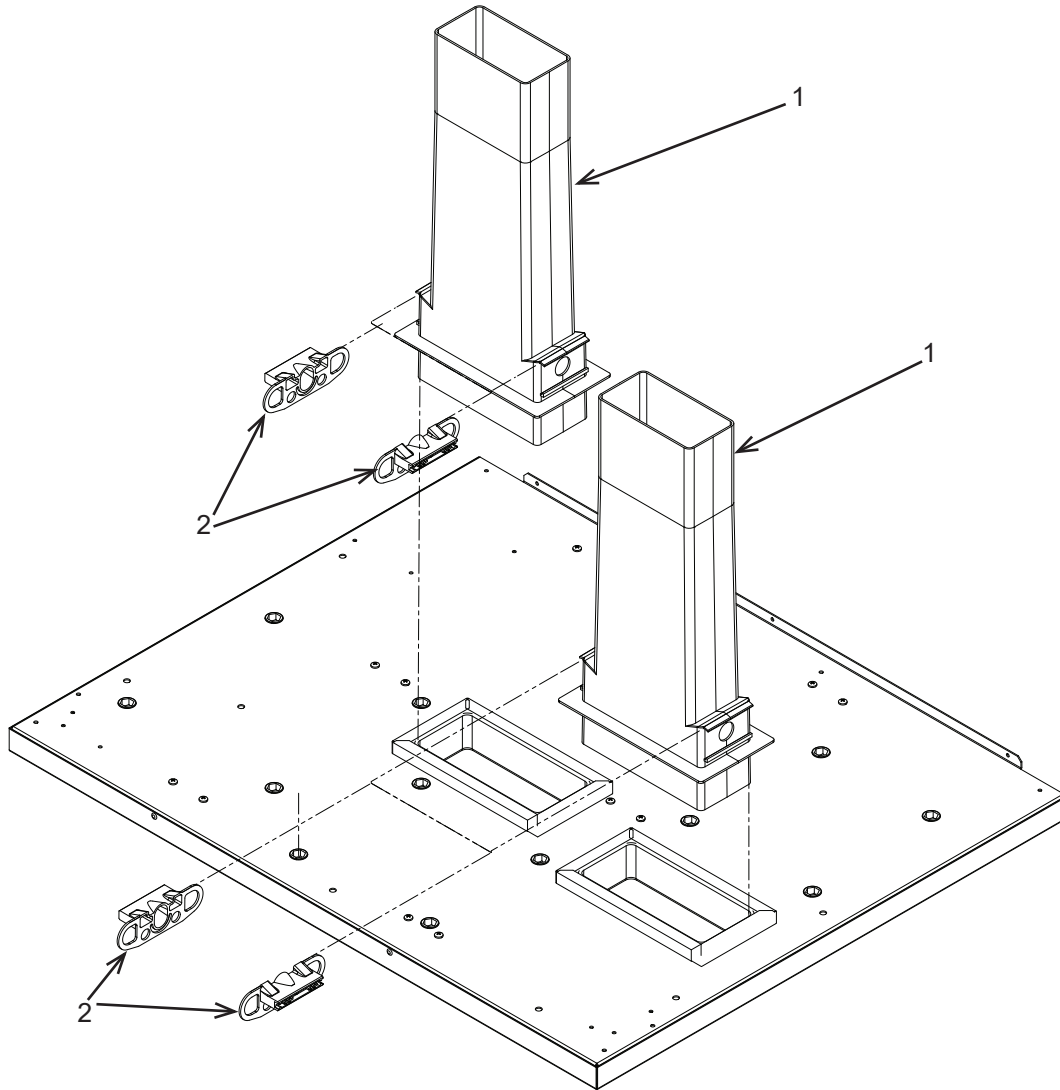


Oil Charge is 14 Oz.

Item	Part Number	Description
1	12-3151-22*	Complete assy 208-230V
* Includes items 2, 3, 5, and is charged with gear oil.		
2	12-3151-32	Drive Motor, 208-230V
3	12-3151-25	Capacitor kit, 208-230V
4	02-4786-01	Water Shed
5	12-3083-23	Gearbox kit, assembled w/out motor, includes item 7
6	A32379-027	Oil, 1 Container
7	02-5066-01	Gearbox drip pan
8	03-1410-04	Lock washer 5/16"
9	03-1544-09	Screw, socket head cap, 5/16-18 x 1-1/2"
10	03-1405-22	Screw, hex Cap, 5/16-18 x 1-1/2"
11	03-1407-07	Flat Washer 5/16"
12	02-5104-01	Motor Shield
13	03-1403-32	Screw, #10-24 x 3/4"
14	02-4838-01	Drive coupling
Not Shown:		
15	12-3151-33	First Gear (Phenolic)
16	12-3151-34	Gasket

Service Parts List for Models FS2330, NS2030, and NH2030 Remote or Water Cooled

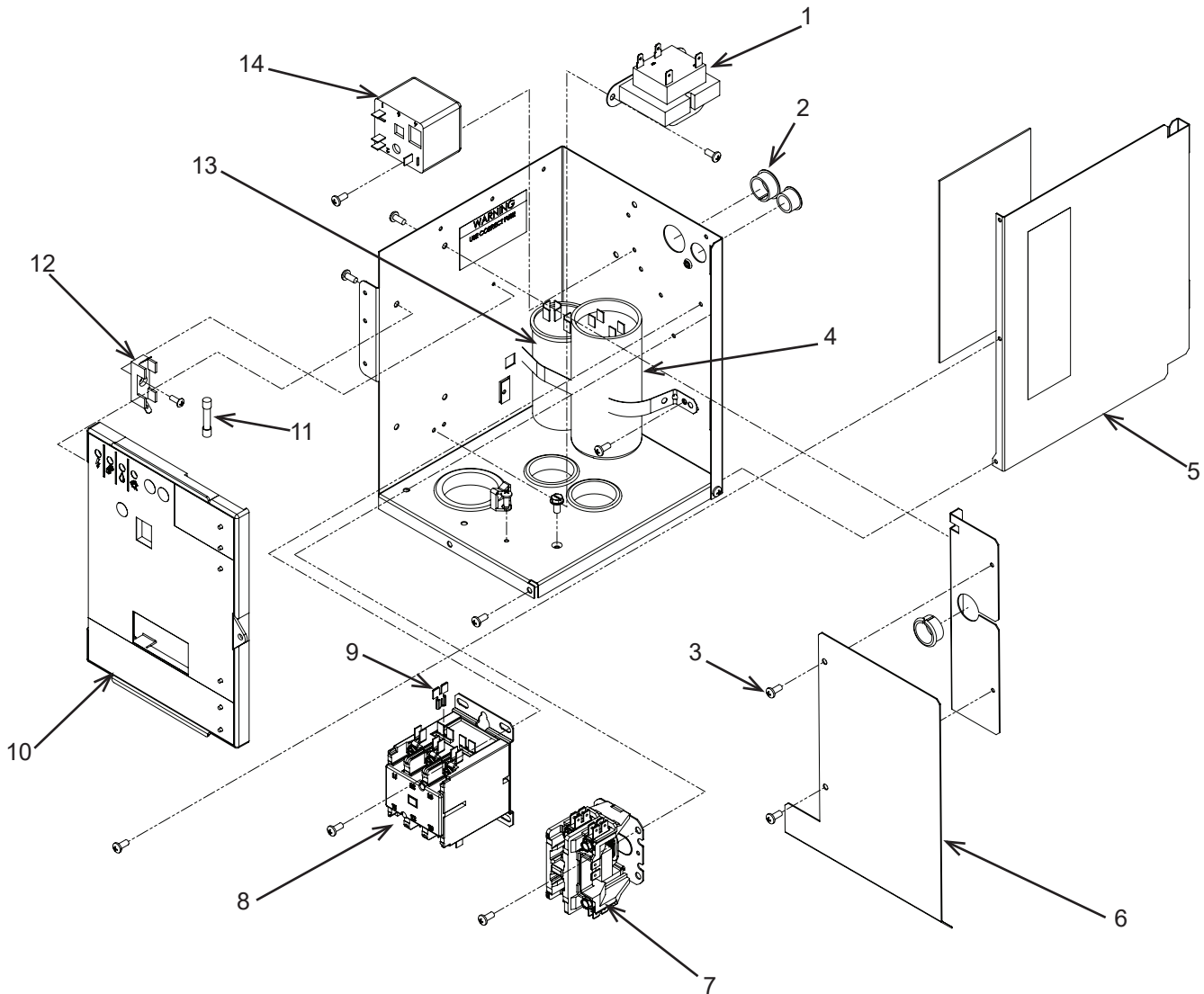
Chutes and Ice Sensors



Item	Part Number	Description
1	02-2929-04	Lower ice chute
2	A37708-021	Ice sensor set

Service Parts List for Models FS2330, NS2030, and NH2030 Remote or Water Cooled

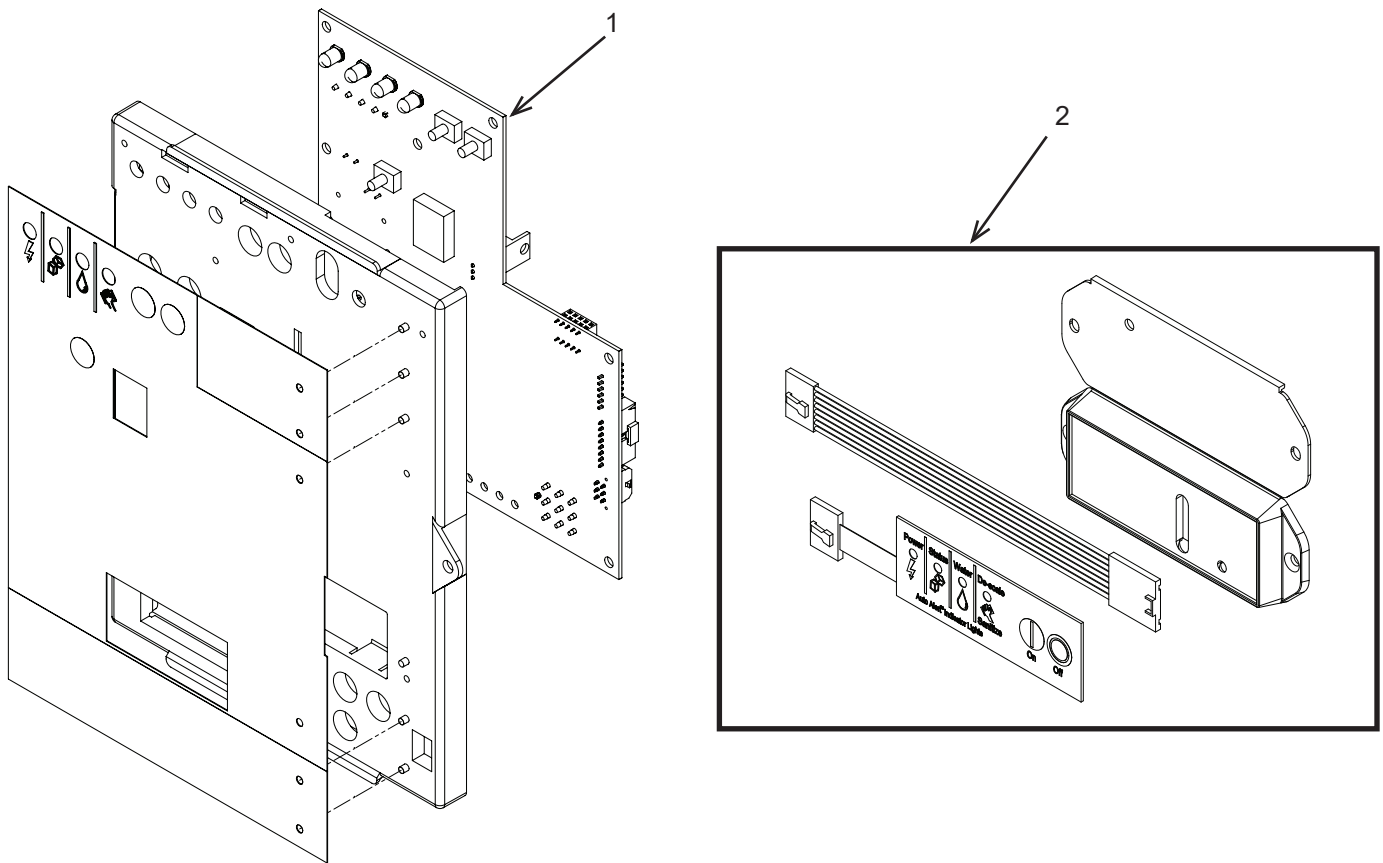
Control Box



Item	Part Number	Description
1	12-2924-02	Transformer
2	12-1313-10	Snap bushing
3	03-1531-01	Screw
4	18-1901-48	Start capacitor
5	A39198-001	Cover
6	A39216-001	Barrier
7	12-2469-02	Contactor, single pole
8	12-2533-02	Contactor, three phase
9	12-3134-01	Splitter, three phase remote only
10	02-4076-01	Control box door
11	12-2687-01	Fuse block
12	12-2686-01	Fuse
13	18-1902-70	Run capacitor
14	18-1903-46	Start relay

Service Parts List for Models FS2330, NS2030, and NH2030 Remote or Water Cooled

Controller and Harnesses



Item	Part Number	Description
------	-------------	-------------

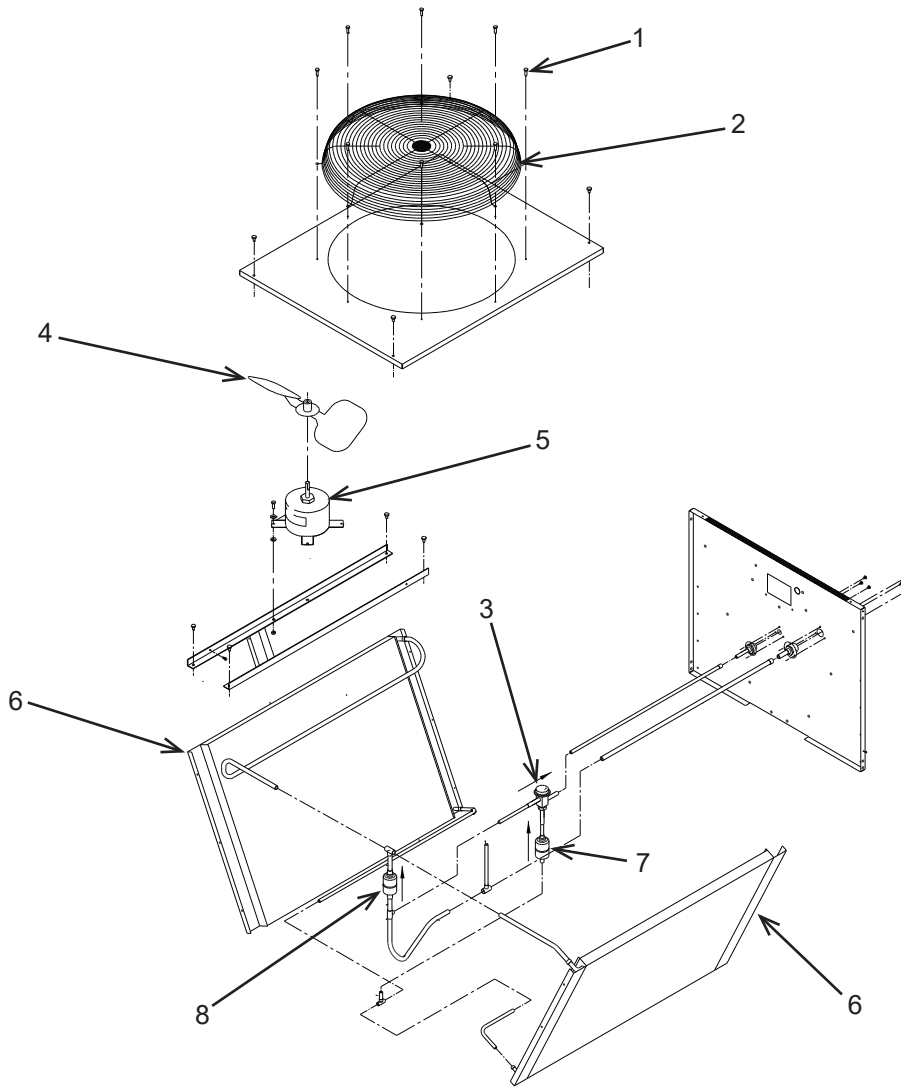
- | | | |
|---|------------|---|
| 1 | 11-0638-21 | Service controller, dual evaporator models |
| 2 | 11-0622-21 | Membrane kit, includes items shown within illustrated box |

Harnesses, not shown:

- | | | |
|-----|------------|-----------------------------------|
| NS1 | 12-3172-01 | Three phase remote harness |
| NS2 | 12-2968-01 | Single phase compressor harness |
| NS3 | 12-2965-01 | Three phase compressor harness |
| NS4 | 12-3102-02 | Membrane harness |
| NS5 | 12-3161-01 | Low voltage harness |
| NS6 | 12-3160-01 | High voltage remote harness |
| NS7 | 12-3159-01 | High voltage water cooler harness |

Service Parts List for Models FS2330, NS2030, and NH2030 Remote or Water Cooled

ERC611Condenser



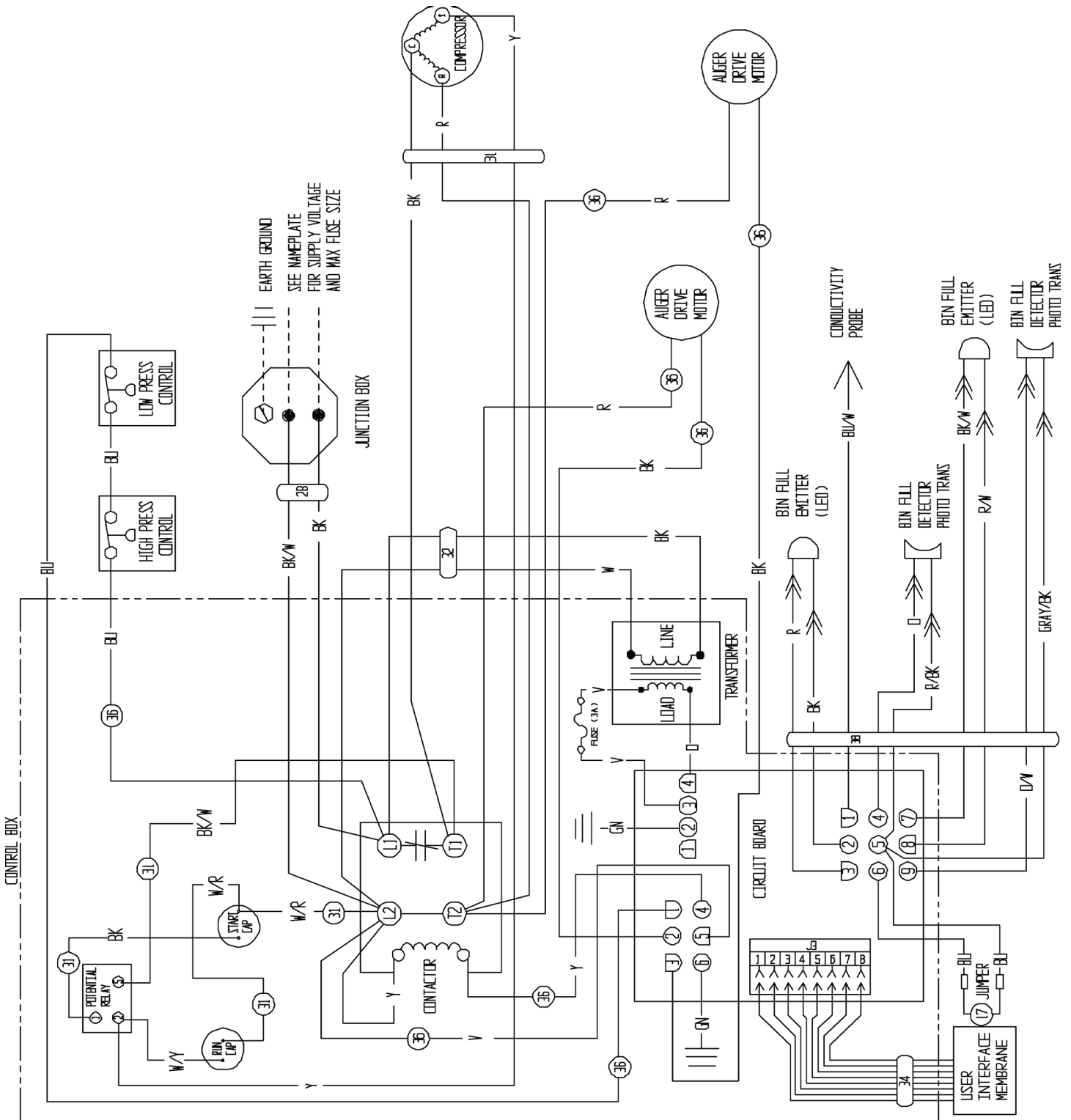
Item	Part Number	Description
1	03-1405-08	Screw
2	02-3575-01	Fan guard
3	11-0422-22	Headmaster
4	18-8820-01	Fan blade - ERC611
5	12-2717-01	Fan motor - ERC611
6	18-8819-01	Coil, ERC611
7	02-3231-02	Filter
8	02-3231-03	Filter

Not Shown:

A37169-001	Leg
A37296-001	Leg brace - ERC611
03-1645-01	Screw for legs

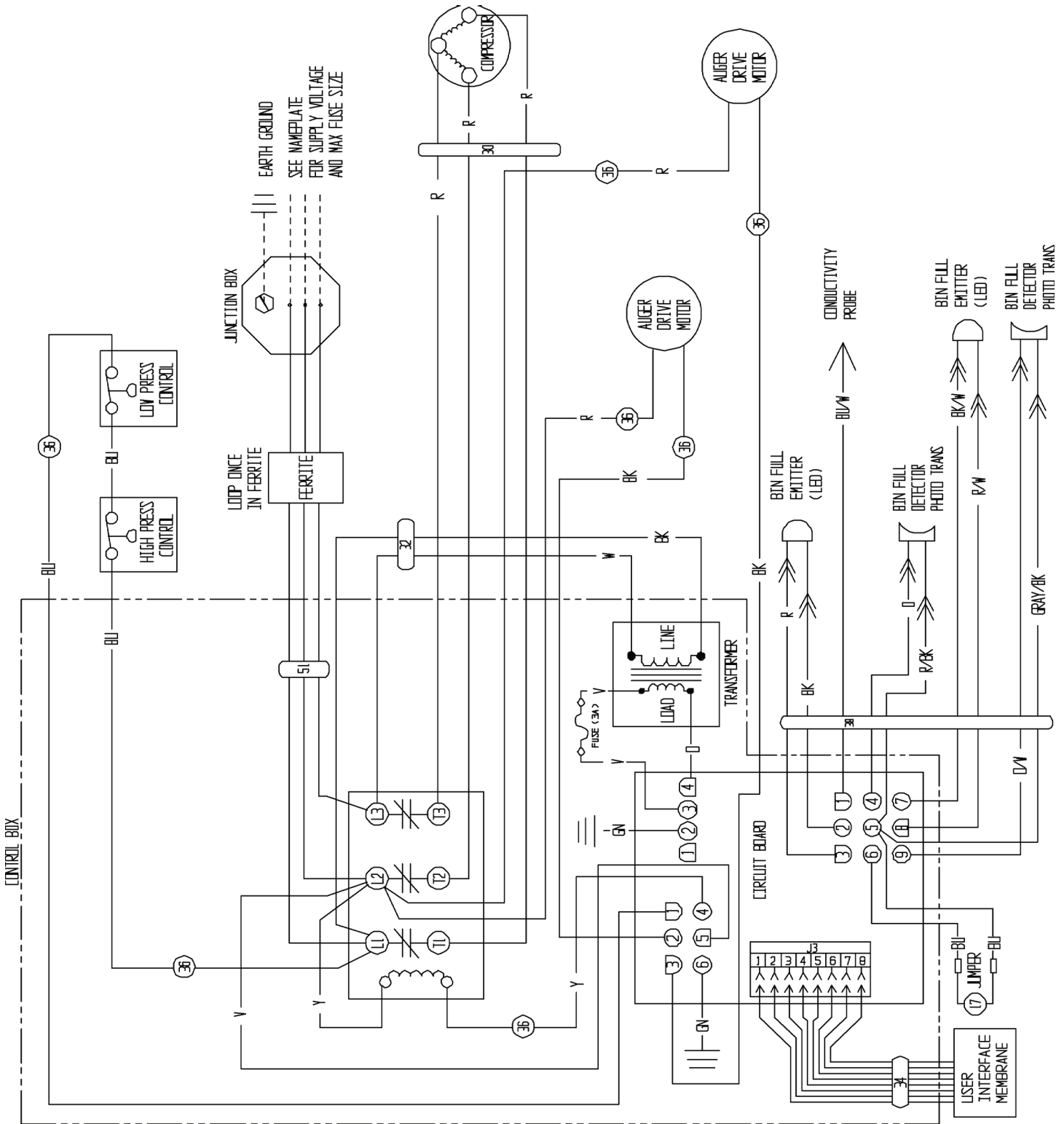
Service Parts List for Models FS2330, NS2030, and NH2030 Remote or Water Cooled

-32 Water Cooled Wiring Diagram



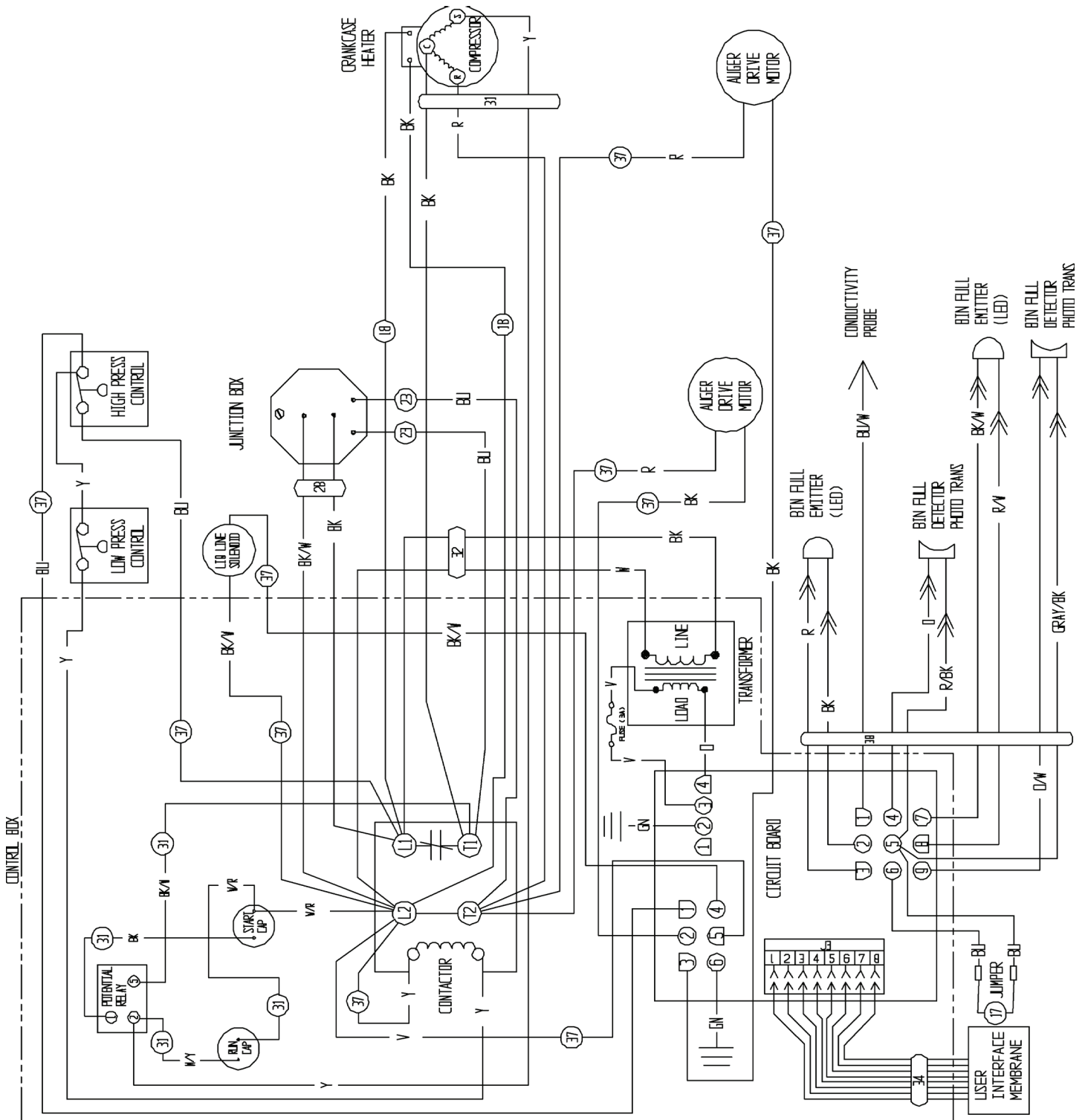
Service Parts List for Models FS2330, NS2030, and NH2030 Remote or Water Cooled

-3 Water Cooled Wiring Diagram



Service Parts List for Models FS2330, NS2030, and NH2030 Remote or Water Cooled

-32 Remote Cooled Wiring Diagram



Service Parts List for Models FS2330, NS2030, and NH2030 Remote or Water Cooled

-3 Water Cooled Wiring Diagram

